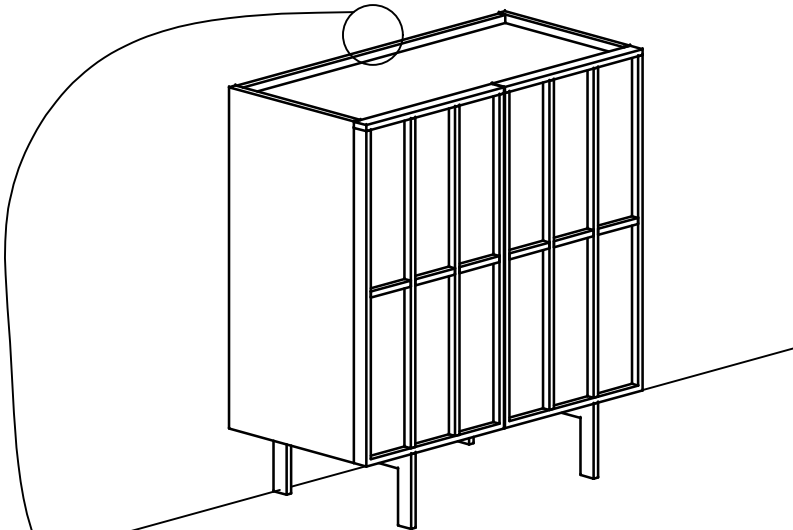
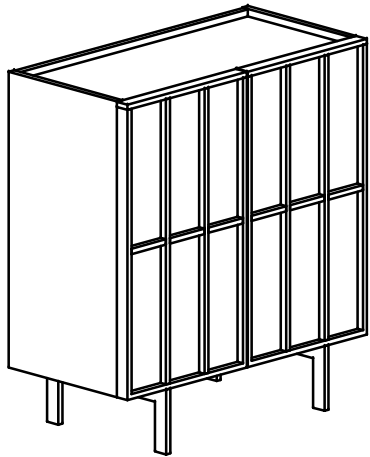
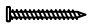
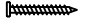



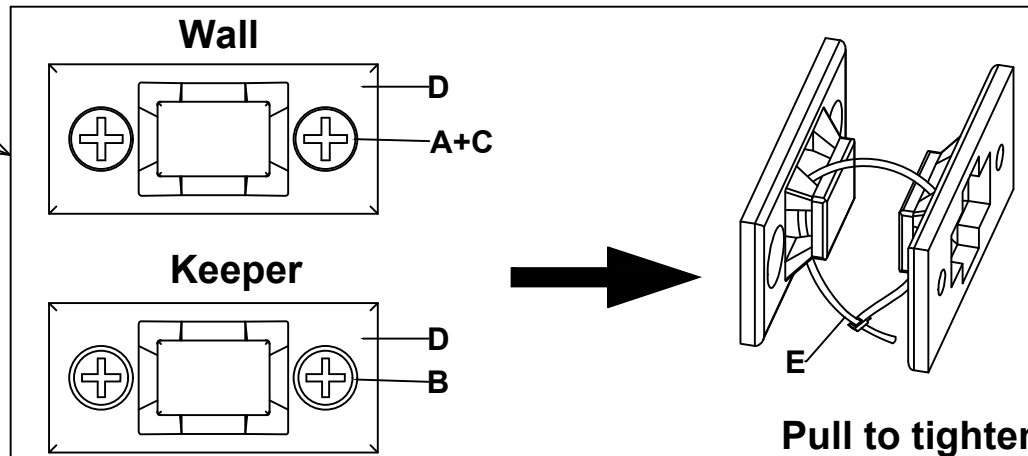


STEP 1

WALL



FITTINGS			
A		M4×30mm Screw	x2
B		M3.5×16mm Screw	x2
C			x2
D			x2
E			x1



TITLE:

ASSEMBLY DRAWING:

ITEM: HLD07-JTG-Q016 APTM STORAGE W/ BUFFER HINGES

SCALE: N.T.S

DATE: 2021-9-15

DRAWING BY: CJ

DRAWING NO: