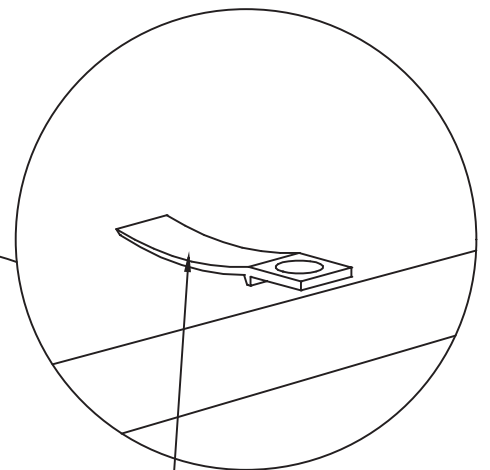
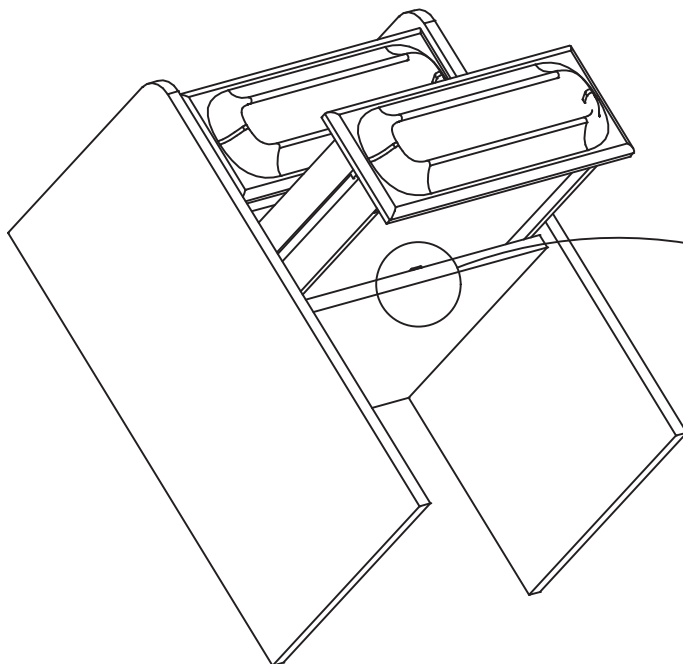


**Tilt the cabinet  
backward 45°**



**Lift the stopper  
underneath of the drawer**